



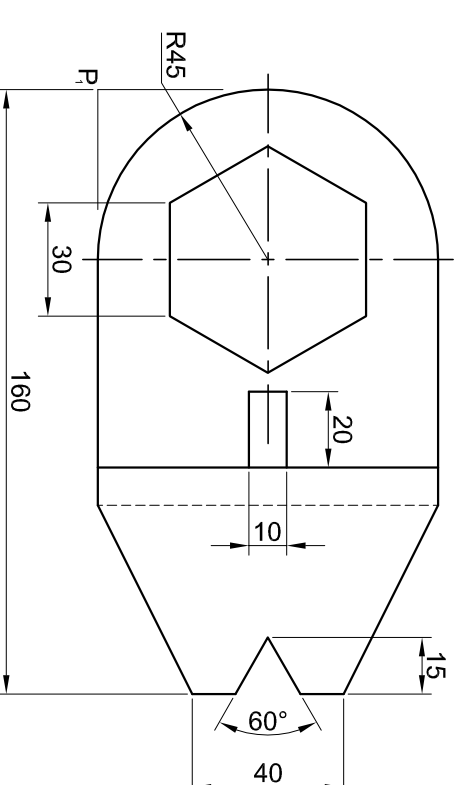
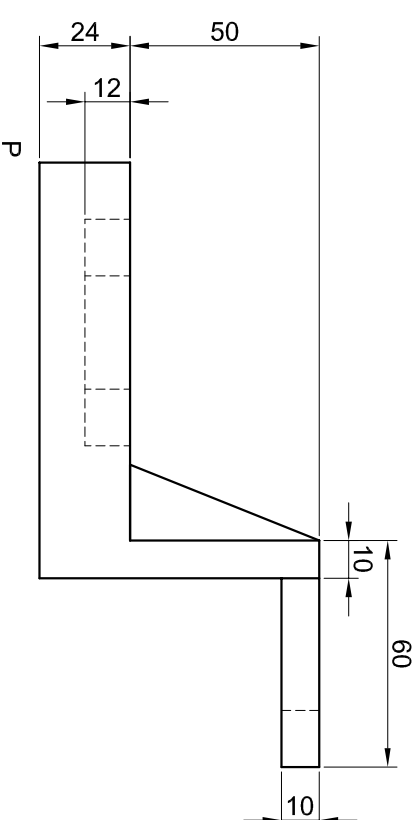
QUESTION 3: ISOMETRIC DRAWING

Given:
The front view and top view of an anchor plate in first angle orthographic projection.

Instructions:

- Convert the orthographic views of the anchor plate into an isometric drawing.
- Position the answer so that point P is the lowest point of the drawing.
- Show ALL necessary constructions.
- No hidden detail is required.

[23]



ASSESSMENT CRITERIA	
Constructions	2
Correct placing	2
Isometric planes	19
TOTAL	23

NAME	
NAME	
NAME	

4

← P