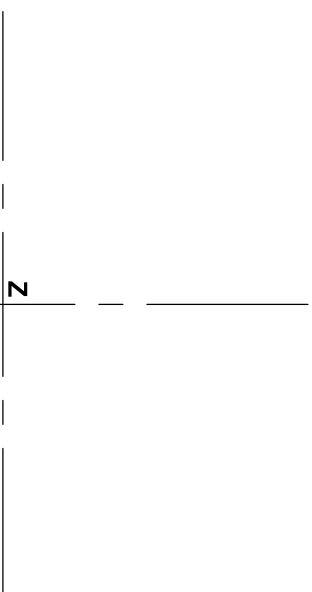
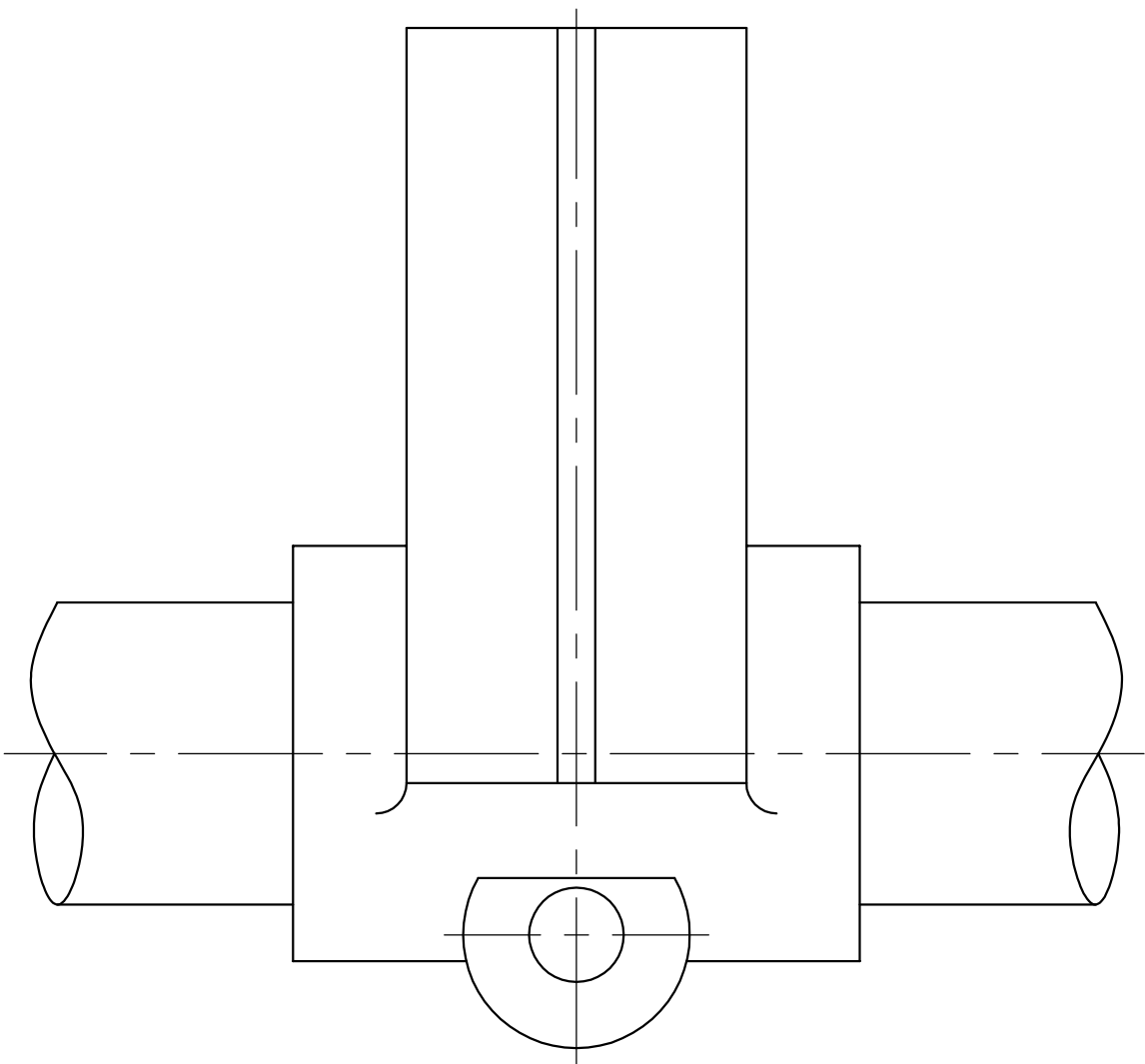




ANSWER SHEET



ASSESSMENT CRITERIA	
1. Centre lines	1
2. Base	14
3. Locking bolt	8
4. Lock bush	4
5. Lock nut	4
6. Hatching	7
7. Labels	2
TOTAL	40

NAME	
NAME	
NAME	6