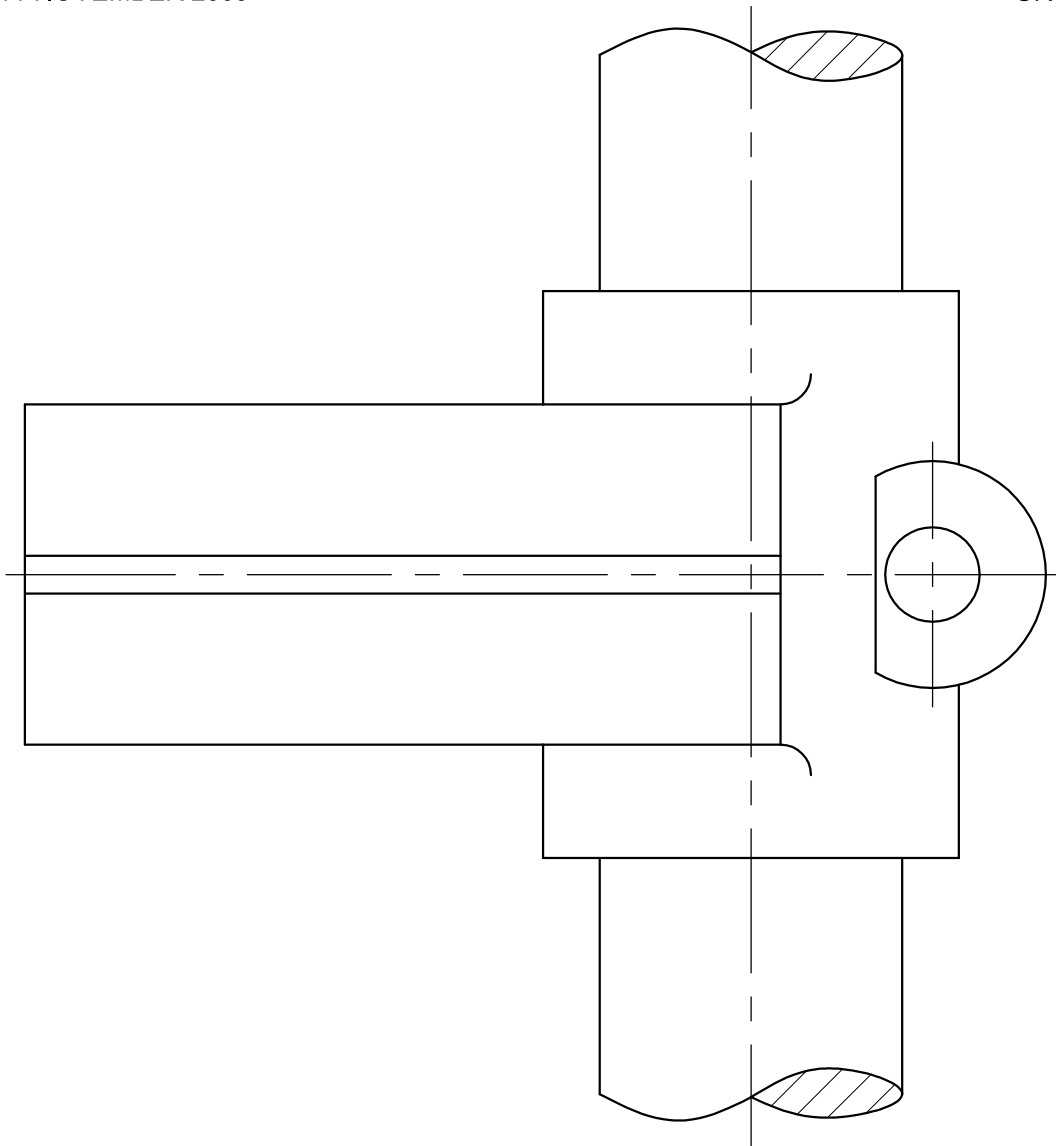
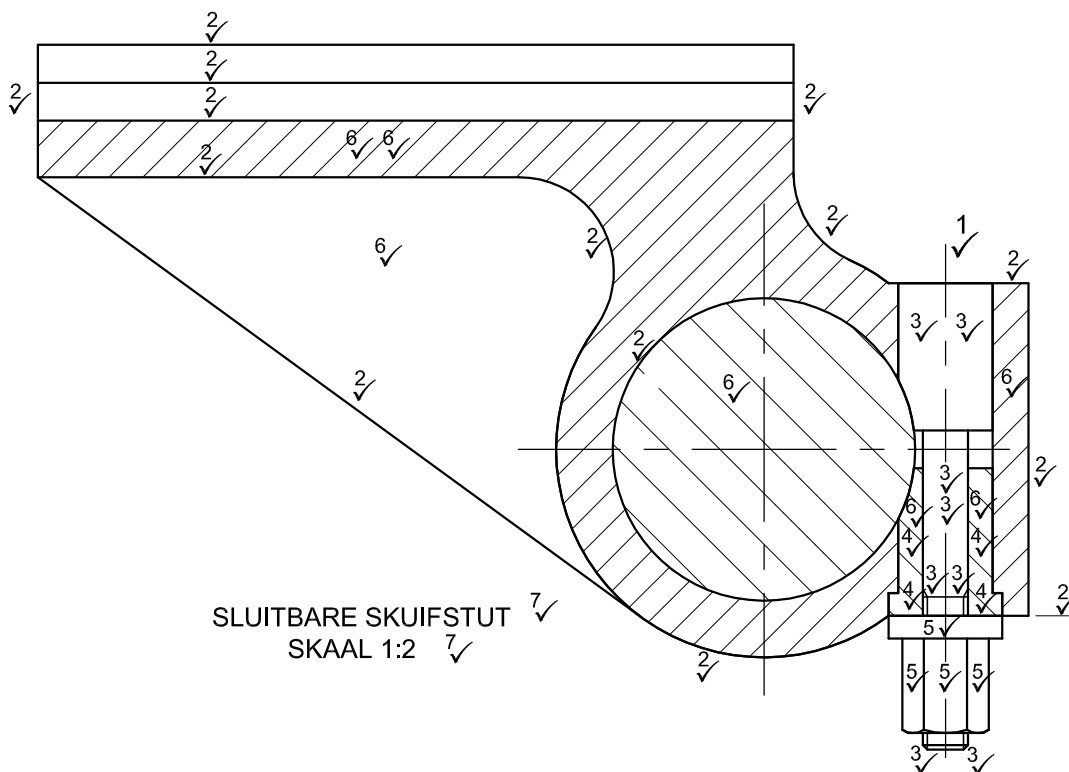


VRAESTEL 2 VRAAG 5  
GR 11 NOVEMBER 2009

PAPER 2 QUESTION 4  
GR 11 NOVEMBER 2009



ASSESSMENT CRITERIA	
1. Centre lines	1
2. Base	14
3. Locking bolt	8
4. Lock bush	4
5. Lock nut	4
6. Hatching	7
7. Labels	2
<b>TOTAL</b>	<b>40</b>



ASSESSERINGSKRITERIA	
1. Hartlyne	1
2. Basis	14
3. Sluitbout	8
4. Sluitbus	4
5. Sluitmoer	4
6. Arsering	7
7. Byskrifte	2
<b>TOTAAL</b>	<b>40</b>

MEMORANDUM