

**QUESTION 4: ASSEMBLY DRAWING**

**Given:**

The exploded isometric drawing of the parts of a vertical support bracket, showing the position of each part relative to all the others.

Orthographic views of each of the parts of the vertical support bracket.

**Instructions:**

Answer this question on ANSWER SHEET 4 on page 6. Draw to scale 1:2: the following views of the assembled parts of the vertical support bracket:

- 4.1 The full sectional front view on A-A as seen from the arrow indicated in the exploded isometric drawing. The vertical cutting plane passes through the centre line of the assembly as shown on the top view of the support bracket.
- 4.2 A top view of the the assembly. No hidden detail is required.

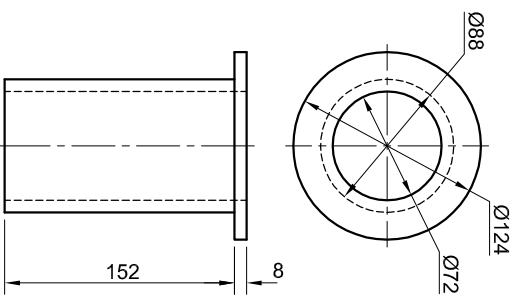
- ALL drawing must comply with the guidelines contained in the SABS 0111.

**Add the following feature to the drawing:**

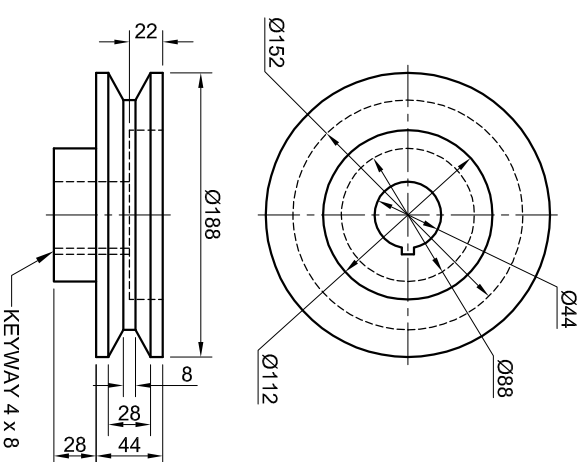
- The cutting plane. Label it A.A.

**Note:**  
 • Show THREE faces of the M44 nut and ALL necessary construction. [95]

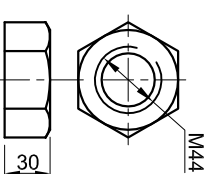
BUSH



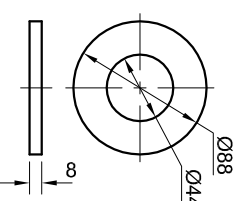
PULLEY



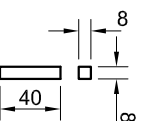
M44 NUT



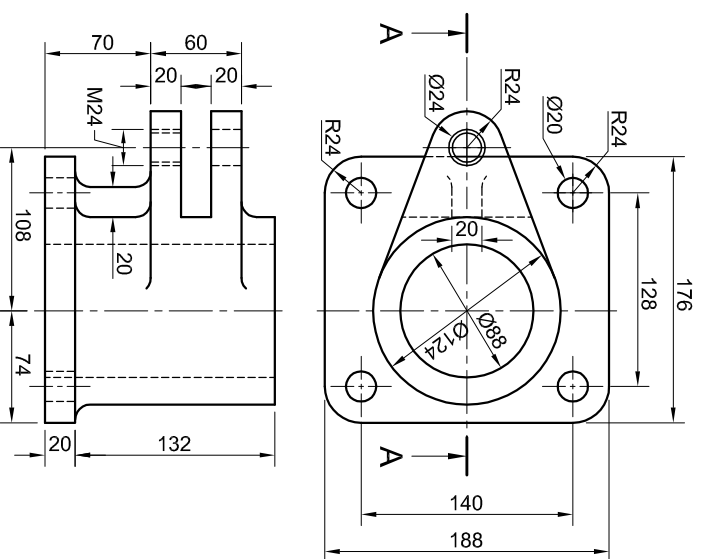
WASHER



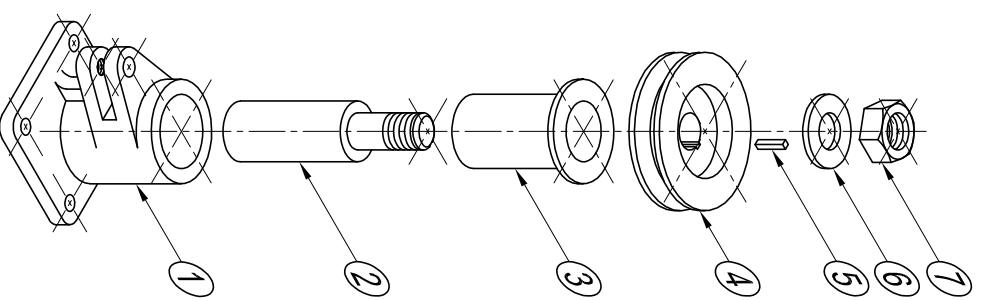
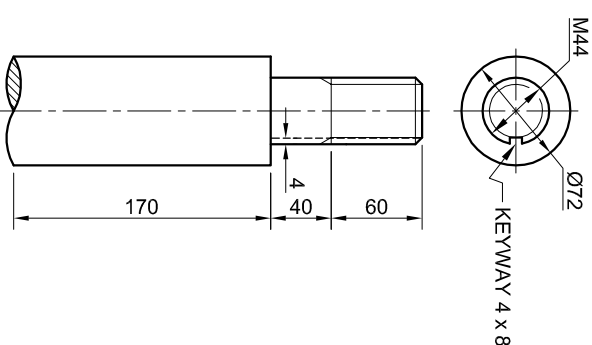
KEY



SUPPORT BRACKET



SHAFT



EXPLODED ISOMETRIC

PARTS LIST		
PART	QUANTITY	MATERIAL
1. SUPPORT BRACKET	1	CAST IRON
2. SHAFT	1	MILD STEEL
3. BUSH	1	BRASS
4. PULLEY	1	CAST IRON
5. KEY	1	MILD STEEL
6. WASHER	1	SPRING STEEL
7. M44 NUT	1	MILD STEEL

**CAPE STEEL**  
 MANUFACTURING

FOREST DRIVE  
 GOODWOOD  
 5240  
 www.capesteel.co.za

**VERTICAL SUPPORT BRACKET**

ALL DIMENSIONS ARE IN MILLIMETRES	DRAWN: SIBU DATE: 22/10/08
ALL UNSPECIFIED RADII ARE R10	CHECKED: PENNY DATE: 25/10/08
DRAWING PROGRAM: AUTOCAD 2008	APPROVED: SAKEL DATE: 26/10/08
	SCALE: 1:1

TITLE	NATIONAL SENIOR CERTIFICATE	
	GRADE 12 NOVEMBER 2008	
		5

